

## General Purpose Solenoid Valves S9183 Series (G1/8", G1/4", G3/8", G1/2", G3/4", G1")

### GENEL ÖZELLİKLER

- TORK series S9183 (NC) pilot operated solenoid valves 2/2 way
- Suitable for gas fluids (air, inert gas, etc.) for non-aggressive fluids (water, oil, etc.).
- The minimum operating differential pressure is 2 bar.
- Wide pressure range, flow rate and orifice options are available.
- TORK solenoid valves 97/23 / EC, Pressure Equipment Directive (PED) and 2006/95 / ECC Low voltage regulation (LVD).
- Solenoid valves should be used with filter.
- Solenoid valves can be installed in any position without affecting their operation; Coil should be preferred in vertical up position.
- Standard pipe connection G (BSP) (ISO 228-1) and on request; other pipe connections (NPT (ANSI 1.20.3))

### ELECTRICAL CHARACTERISTICS

Continuous Duty	: ED %100
Coil Insulation Class	: H (180°C)(IEC 85)
Coil Impregnation	: Polyester Fiber Glass
Ambient Temperature	: -10°C, +60°C
Protection Degree	: IP65 (ISO 60529) On request; IP68
Electric Plug Connection	: DIN 46340 3-Poles Connector (DIN 43650)
Connector Specification	: ISO 4400 / EN 175301-803 Form A, Spade Plug (Cable Ø6-8 mm)
Electrical Safety	: IEC 335
Standard Voltages	: AC 12V 15VA, 24V 15VA, 48V 15VA, 110V 15VA, 230V 15VA, 230V 24VA DC 12V 18W, 24V 18W, 48V 18W, 110V 18W

On request other voltages

Voltages Tolerance	: AC -15%, +10% DC -5%, +10%
Frequency	: 50 Hz (60 Hz...)

On request; Connector with LED, PWM Socket Specify coil voltage with order

### MATERIALS IN CONTACT WITH FLUID

Body	: Brass
Internal Parts	: Stainless Steel and Brass
Sealing	: NBR+PTFE on request; EPDM, VITON
Shading Ring	: Copper (EN 12735-1)
Seats, Core Tube, Springs	: Stainless Steel

### TECHNICAL FEATURES

Max. Viscosity	: 5°E (-37cST veya mm <sup>2</sup> /s)
Response Time	: Opening time : 400-1600 ms Closing Time : 1000-2000 ms

### SEALS FEATURES

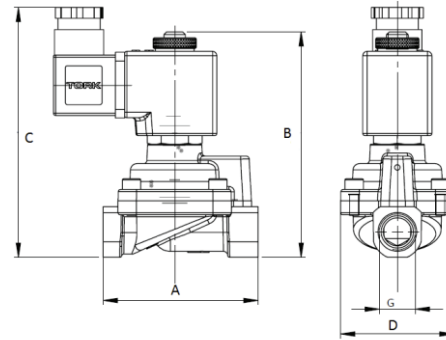
NBR	: -10°C...+80°C
EPDM	: -10°C...+130°C
VITON	: -10°C...+160°C
PTFE	: -10°C...+160°C



NORMALLY CLOSED

2/2 OPERATED

PILOT OPERATED



Dimensions (mm)				
G	A	B	C	D
1/8"	75	104.4	115.7	52.5
1/4"	75	104.4	115.7	52.5
3/8"	72	104.4	115.7	52.5
1/2"	80	105.9	117.2	52.5
3/4"	78	112.7	124	52.5
1"	85	119.2	130.5	52.5

Coils	Nominal Values	Cold/Hot	Inrush	Holding	Current (A)	Surface Temperature (°C)
C40012VDC18W	12VDC 18W	COLD	19,56	19,56	1,63	20
		HOT	14,52	14,52	1,21	106
C40024VDC18W	24VDC 18W	COLD	20,88	20,88	0,87	25
		HOT	14,64	14,64	0,61	116
C40110VDC18W	110VDC 18W	COLD	19,96	19,96	0,18	23
		HOT	13,56	13,56	0,123	115
C40012VAC15VA	12VAC 15VA	COLD	23,81	16,43	1,3	25
		HOT	-	15,86	1,262	79
C40024VAC15VA	24VAC 15VA	COLD	25,82	15,02	0,62	22
		HOT	-	13,91	0,57	81
C40110VAC15VA	110VAC 15VA	COLD	30,65	15,17	0,137	24
		HOT	-	13,96	0,126	80
C40230VAC15VA	230VAC 15VA	COLD	31,4	15,64	0,068	25
		HOT	-	14,41	0,063	80
C40230VAC15VA	230VAC 24VA	COLD	45,1	23,92	0,0154	23
		HOT	-	21,62	0,0154	100

Solenoid Valve Symbol	Valve Type/Order No	Connection Size	Orifice Size	Pressure min/max	Kv	Fluid Temperature °C	Seal	Weight		
	S9183	G	mm	Bar	Bar	Lt/min	min	max	kg	
	S9183.00	1/8"	12.5	2	70	25	-10	+80	NBR + PTFE	0.68
	S9183.01	1/4"	12.5	2	70	30	-10	+80	NBR + PTFE	0.71
	S9183.02	3/8"	12.5	2	70	48	-10	+80	NBR + PTFE	0.8
	S9183.03	1/2"	14.5	2	70	70	-10	+80	NBR + PTFE	0.97
	S9183.04	3/4"	17	2	70	90	-10	+80	NBR + PTFE	2.65
	S9183.05	1"	17	2	70	90	-10	+80	NBR + PTFE	2.55

### STANDARDS

• Standard tube connection G (BSP) (ISO 228-1) and other tube connections (NPT (ANSI 1.20.3)) are available on request.

• TORK solenoid valves 97/23/EC, are available for pressure equipment directive (PED) and 2006/95/ECC low

**Not:** Please look catalogues for more details voltage directive (LVD).

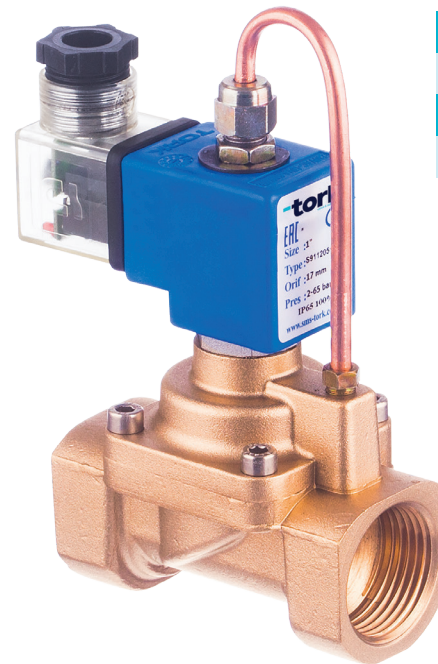
## General Purpose Solenoid Valves S9112 Series (G1/8", G1/4", G3/8", G1/2", G3/4", G1")

### GENERAL FEATURES

- TORK series S9112 (NO)Pilot control solenoid valves 2/2 way
- Suitable for non-aggressive liquids (water, light oil etc...) gaseous fluids (air, oxygen gas and hydrogen gas etc...)
- Minimum operating differential pressure 2 bar
- High reliability, quality and performance ;long life .
- TORK solenoid valves satisfy relevant 97/23/EC, Pressure Equipment Directive (PED) and 2006/95/ECC Low Voltage Directive (LVD) Coils interchangeable
- Filter have to mount before valve
- Standart pipe connection is G (BSP) (ISO 228-1) and on request; , other pipe connection are available (NPT ( ANSI 1.20.3))

### ELECTRICAL CHARACTERISTICS

- Continuous Duty : ED %100  
 Coil Insulation Class : H (180°C)  
 Coil Impregnation : Polyester Fiber Glass  
 Coil Encapsulation Material : Fiber Glass Reinforced  
 Ambient Temperature : from -10°C, +60°C  
 Protection Degree : IP65 (ISO 60529) with coil duly fitted with the plug connector  
 Electric Plug Connection : DIN 46340 3- Poles Connector (DIN43650)  
 Connector Specification : ISO 4400 / EN 175301-803 Form A, Spade Plug (Cable Ø6-8 mm)  
 Electrical Safety : IEC 335  
 Standard Voltages : For AC 12V, 24V, 48V, 110V, 230V  
 For DC 12V, 24V, 48V, 110V  
 On request other voltages  
 Voltages Tolerance : AC -15%, +10% DC -5%, +10%  
 Frequency : 50 Hz, other frequencies on request; (60Hz)  
 On request; Connector with LED, Specify coil voltage with order



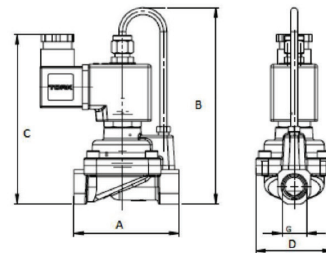
<b>NORMALLY OPEN</b>
<b>2 WAY</b>
<b>PILOT OPERATED</b>
<b>ΔP=2</b>

### MATERIALS IN CONTACT WITH FLUID

- Body : Brass  
 Internal Parts : Stainless steel  
 Diaphragm : NBR+PTFE On request;  
 VITON+PTFE  
 Shading Ring : Copper  
 Core, Tube, Spring : Stainless Steel

### TECHNICAL FEATURES

- Max Viscosity : 5°E (-37cST or /s)  
 Response Time :  
 Opening Time: 400 ms to ~1600 ms  
 Closing Time : 1000 ms to ~2000 ms



Dimensions (mm)				
G	A	B	C	D
1/8"	75	133.9	115.7	52.5
1/4"	75	133.9	115.7	52.5
3/8"	72	133.9	115.7	52.5
1/2"	80	135.5	117.2	52.5
3/4"	78	142.3	124	52.5
1"	85	130.5	148.8	52.5

Coils	Nominal Values	Cold/Hot	Inrush	Holding	Current (A)	Surface Temperature (°C)
C40012VDC18W	12VDC 18W	COLD	19,56	19,56	1,63	20
		HOT	14,52	14,52	1,21	106
C40024VDC18W	24VDC 18W	COLD	20,88	20,88	0,87	25
		HOT	14,64	14,64	0,61	116
C40110VDC18W	110VDC 18W	COLD	19,96	19,96	0,18	23
		HOT	13,56	13,56	0,123	115
C40012VAC15VA	12VAC 15VA	COLD	23,81	16,43	1,3	25
		HOT	-	15,86	1,262	79
C40024VAC15VA	24VAC 15VA	COLD	25,82	15,02	0,62	22
		HOT	-	13,91	0,57	81
C40110VAC15VA	110VAC 15VA	COLD	30,65	15,17	0,137	24
		HOT	-	13,96	0,126	80
C40230VAC15VA	230VAC 15VA	COLD	31,4	15,64	0,068	25
		HOT	-	14,41	0,063	80
C40230VAC15VA	230VAC 24VA	COLD	45,1	23,92	0,0154	23
		HOT	-	21,62	0,0154	100

### DIAPHRAGM

- NBR : -10°C...80°C  
 VITON: -10°C...160°C  
 PTFE : -10°C...160°C

Solenoid Valve Symbol	Valve Type/ Order No	Connection Size	Orifice Size	Pressure min/max		Kv	Fluid Temperature		Seal		Weight
				Bar	Bar		°C		NBR + PTFE	Opsiyon	
	S9112	G	mm	Bar	Bar	L/min	min	max		✓	VITON + PTFE
	S9112.00	1/8"	12.5	2	65	25	-10	+80	✓	✓	0.68
	S9112.01	1/4"	12.5	2	65	30	-10	+80	✓	✓	0.71
	S9112.02	3/8"	12.5	2	65	48	-10	+80	✓	✓	0.8
	S9112.03	1/2"	14.5	2	65	70	-10	+80	✓	✓	0.97
	S9112.04	3/4"	17	2	65	90	-10	+80	✓	✓	2.65
S9112.05	1"	17	2	65	90	-10	+80	✓	✓	2.55	