

Coupling Connection Pulse Valve - PL1030 Series (G3/4", G1", G1 1/2")

GENERAL FEATURES

- The pulse valves are especially used for dust collector service application or similar systems.
- Compact design, high reliability, flow rate, quality and performance; long life.
- Extremely fast opening and closing
- Working Temperature: -20°C ... 80°C
- On request; with electronic timer
- Some application; dust filters, bunkers, dust extractors, electrostatic painting cabinets.
- Coils interchangeable
- Pulse valves must be used with filtered fluids.

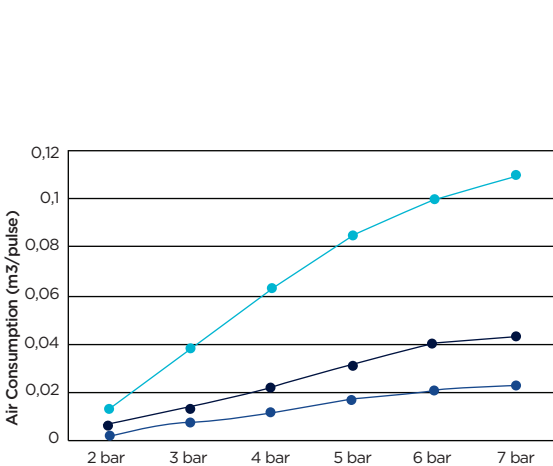
ELECTRICAL CHARACTERISTICS

- Continuous Duty : ED %100
 Coil Insulation Class : H (180°C)
 Coil Impregnation : Polyester Fiber Glass
 Ambient Temperature : -20°C ... 80°C
 Protection Degree : IP65 (ISO 60529) (with coil duly fitted with the plug connector)
- Electric Plug Connection : DIN 46340 3- Poles Connector(DIN43650)
 Connector Specification : ISO 4400 / EN 175301-803 Form A, Spade Plug (Cable Ø6-8 mm)
- Electrical Safety : IEC 335
 Standard Voltages : AC 12 V, 24V, 48 V, 110V, 230 V
 DC 12 V, 24V, 48 V, 110V

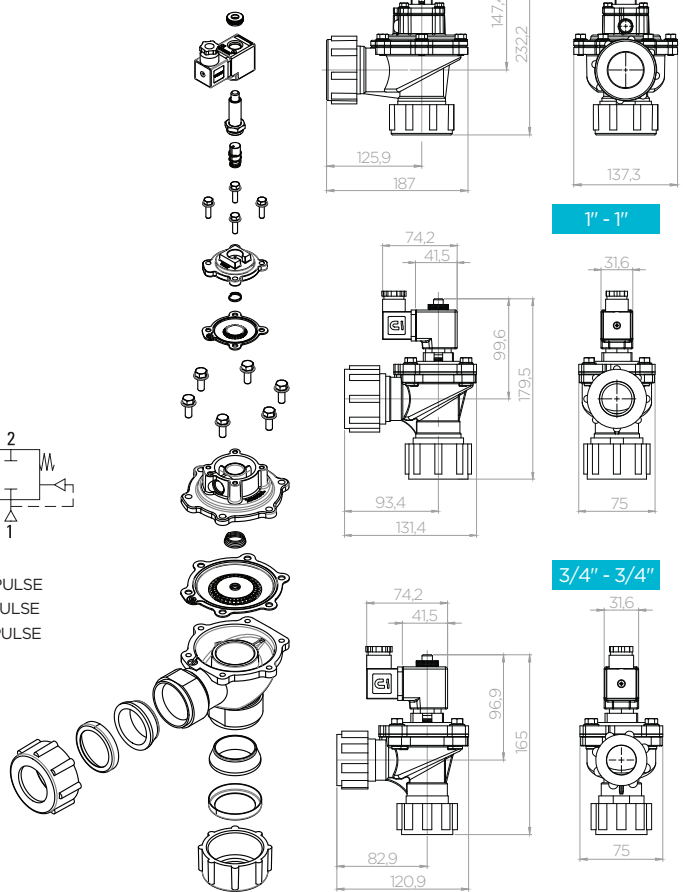
- On request other voltages
 Voltages Tolerance : ± % 10
 Frequency : 50 / 60 Hz On request; LED connectors
 Please, specify coil voltage with order.

MATERIALS IN CONTACT WITH FLUIDS

- Body : Aluminium
 Internal Parts : Stainless Steel and Brass
 Sealing : Thermoplastic
 Shading Ring : Copper
 Seats : Aluminium
 Core, Tube : Stainless Steel
 Spring : Stainless Steel



NORMALLY CLOSED
2/2 WAY
PILOT OPERATED



Valve Order No	Connection Size	Orifice Size	Pressure		Fluid Temperature		Seal	Weight
			min	max	min	max		
PL 1030	G	mm	bar	bar	°C			(kg)
PL1030.04 - P	3/4" - 3/4"	25	0.5	8	-20	80	Thermoplastic	0.95
PL1030.05 - P	1" - 1"	25	0.5	8	-20	80	Thermoplastic	1.29
PL1030.07 - P	1 1/2" - 1 1/2"	44	0.5	8	-20	80	Thermoplastic	2.03

• TORK Pulse Valves comply with 97/23 / EC, Pressure Equipment Directive (PED) and Low Voltage Directive 2006/95 / EEC.
 • Standard pipe connection GIBSP (ISO 228-1) is available on request. Other pipe connections can also be made on request. ((NPT) ANSI 1, 20, 31)