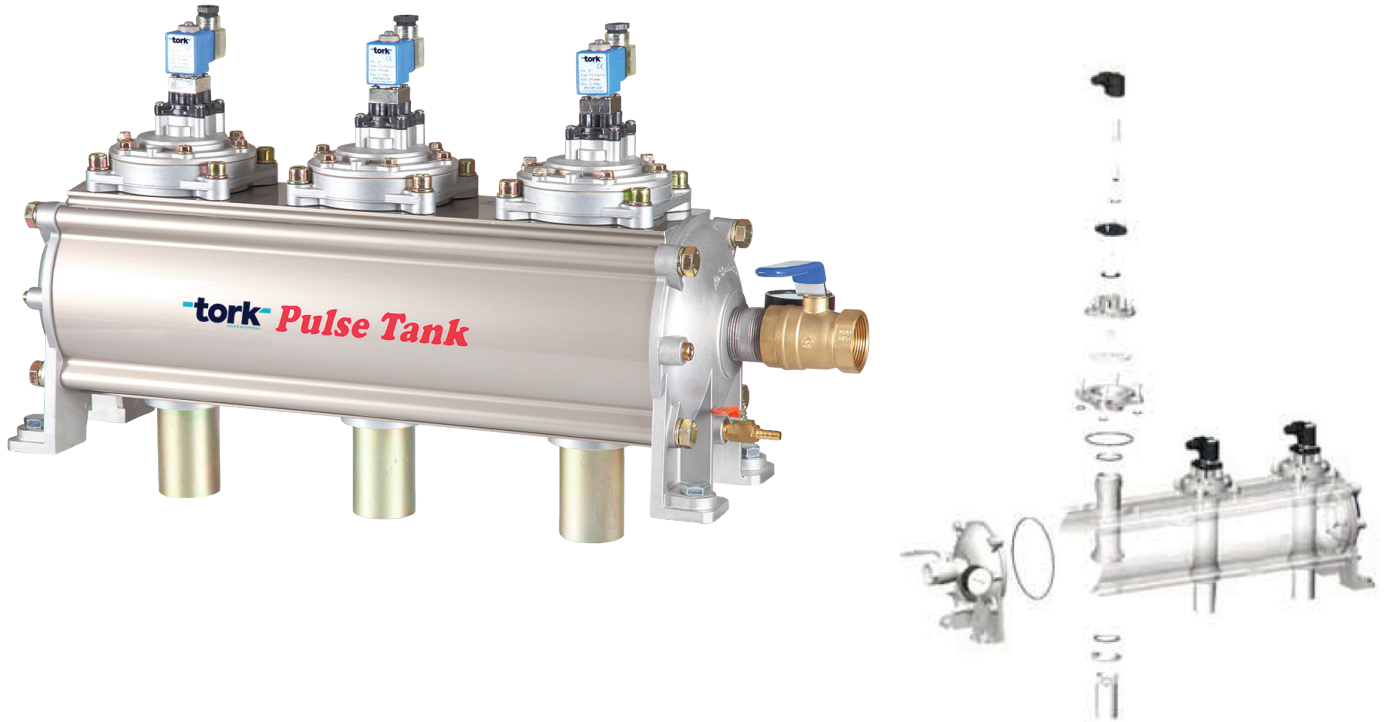


Pulse Tank - PL1015, PL1027, PL1016, PL1017, PL1026, PL1037 Series

GENERAL FEATURES

NORMALLY CLOSED

- TORK series pulse valves are normally closed.
- TORK series valve bodies are aluminum die castings.
- TORK series valve diaphragms are elastomer.
- Maximum ambient temperature: 100 ° C
- Maximum fluid temperature: 110 ° C
- It is used in air and inert gases applications.

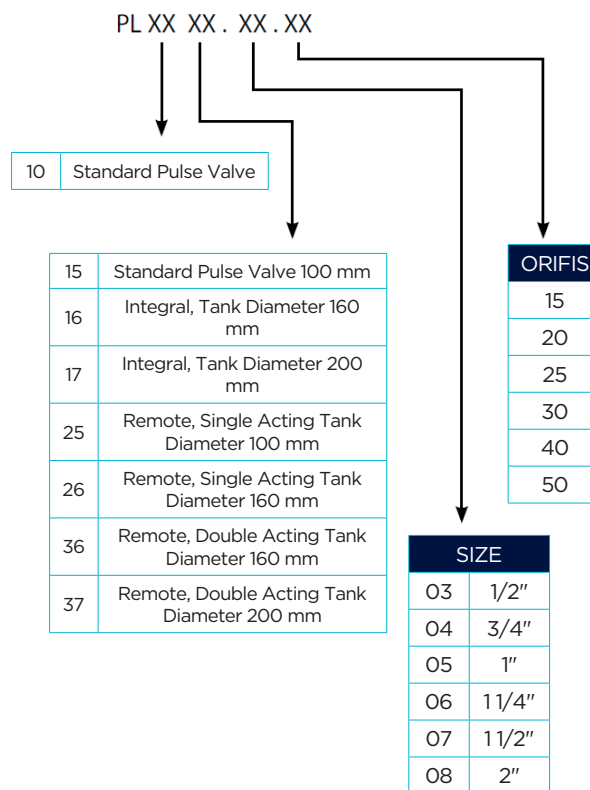
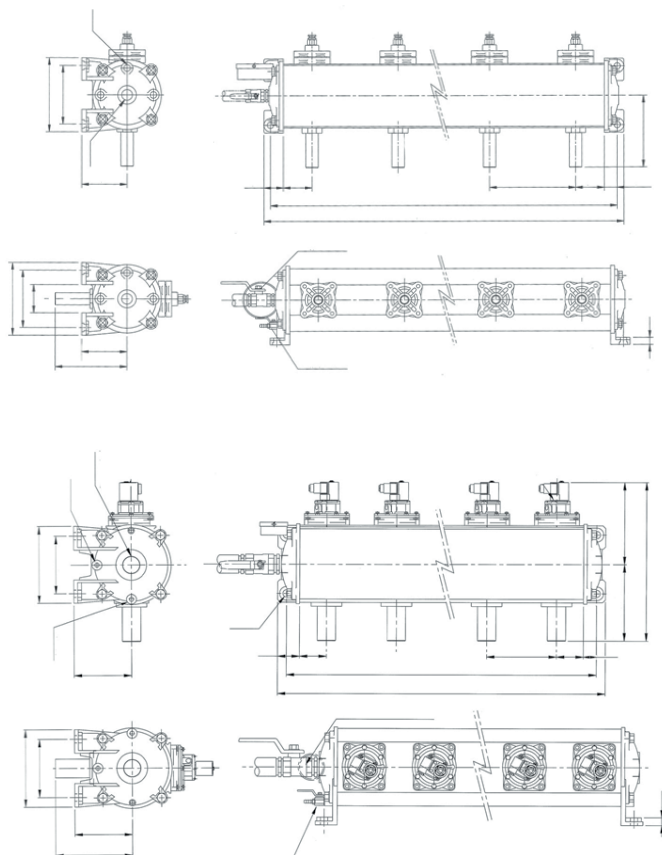


BMXN: B:Position, M: distance between two pulse, N: Number of Pulses

Valve Order No	Working Pressure		KV Lt/min	Temperature °C	
	min. bar	max. bar		min.	max.
PL1025.03.15.B.MXN	0.5	7.4	141.3	-20	110
PL1025.04.20.B.MXN	0.5	7.4	237.9	-20	110
PL1015.04.20.B.MXN	0.5	9.4	237.9	-20	110
PL1026.05.25.B.MXN	0.5	7.4	591.1	-20	110
PL1036.06.30.B.MXN	0.5	8.4	836.2	-20	110
PL1016.06.30.B.MXN	0.5	9.6	836.2	-20	110
PL1037.07.40.B.MXN	0.5	8.4	1002.0	-20	110
PL1017.07.40.B.MXN	0.5	9.6	1002.0	-20	110
PL1037.08.50.B.MXN	0.5	9.4	1182.2	-20	110
PL1017.08.50.B.MXN	0.5	9.6	1182.2	-20	110

• TORK Pulse Valves comply with 97/23 / EC, Pressure Equipment Directive (PED) and Low Voltage Directive 2006/95 / EEC.
 • Standard pipe connection GIBSP (ISO 228-1) is available on request. Other pipe connections can also be made on request. ((NPT) ANSI 1, 20, 31)

Pulse Tank - PL1015, PL1027, PL1016, PL1017, PL1026, PL1037 Series



MODEL	A	C	D	E	F	G	H	I	J	K	L	O	Ö	P	R	S	T	U	V	Y	Z
PL1025.03.15.B.MXN	125	-	-	34	50	22,5	Ø11	12	-	1/4"	1/4"	1/2"	-	79	101	128	79	125	50	101	128
PL1025.04.20.B.MXN	105	-	-	34	50	22,5	Ø11	12	1/2"	1/4"	1/4"	1/2"	-	79	101	128	79	125	50	101	128
PL1015.04.20.B.MXN	105	-	-	34	50	22,5	Ø11	12	1/2"	1/4"	1/4"	1/2"	-	79	101	128	79	125	50	101	128
PL1026.05.25.B.MXN	157	137	294	50	52	32	Ø17	17	1 1/4"	1/4"	1/4"	3/8"	-	120	118	151	120	157	-	112	151
PL1036.06.30.B.MXN	161	161	322	50	59	31,5	Ø17	17	1 1/4"	1/4"	1/4"	3/8"	-	120	118	151	120	161	-	118	151
PL1016.06.30.B.MXN	161	202	363	50	59	31,5	Ø17	17	1 1/4"	1/4"	1/4"	3/8"	-	120	118	151	120	161	-	118	151
PL1037.07.40.B.MXN	200	178	378	57	70	34	Ø19	20	1 1/2"	3/8"	1 1/2"	1/4"	3/8"	150	150	200	150	200	-	150	200
PL1017.07.40.B.MXN	200	213	413	57	70	34	Ø19	20	1 1/2"	3/8"	1 1/2"	1/4"	3/8"	150	150	200	150	200	-	150	200
PL1037.08.50.B.MXN	200	195	395	57	90	34	Ø19	20	1 1/2"	3/8"	1 1/2"	1/4"	3/8"	150	150	200	150	200	-	150	200
PL1017.08.50.B.MXN	200	236	436	57	90	34	Ø19	20	1/4"	3/8"	1 1/4"	1/4"	3/8"	150	150	200	150	200	-	150	200

MODEL	PL1025.03.15.B.MXN	PL1025.04.20.B.MXN	PL1015.04.20.B.MXN	PL1026.05.25.B.MXN	PL1036.06.30.B.MXN
L1	Mx(N-1)+145	Mx(N-1)+155	Mx(N-1)+155	Mx(N-1)+168	Mx(N-1)+218
L2	Mx(N-1)+145	Mx(N-1)+168	Mx(N-1)+168	Mx(N-1)+206	Mx(N-1)+180
Model	PL1016.06.30.B.MXN	PL1037.07.40.B.MXN	PL1017.07.40.B.MXN	PL1037.08.50.B.MXN	PL1017.08.50.B.MXN
L1	Mx(N-1)+218	Mx(N-1)+208	Mx(N-1)+208	Mx(N-1)+248	Mx(N-1)+248
L2	Mx(N-1)+180	Mx(N-1)+254	Mx(N-1)+254	Mx(N-1)+294	Mx(N-1)+294

• TORK Pulse Valves comply with 97/23 / EC, Pressure Equipment Directive (PED) and Low Voltage Directive 2006/95 / EEC.
 • Standard pipe connection GIBSP (ISO 228-1) is available on request. Other pipe connections can also be made on request. ((NPT) ANSI 1, 20, 31)