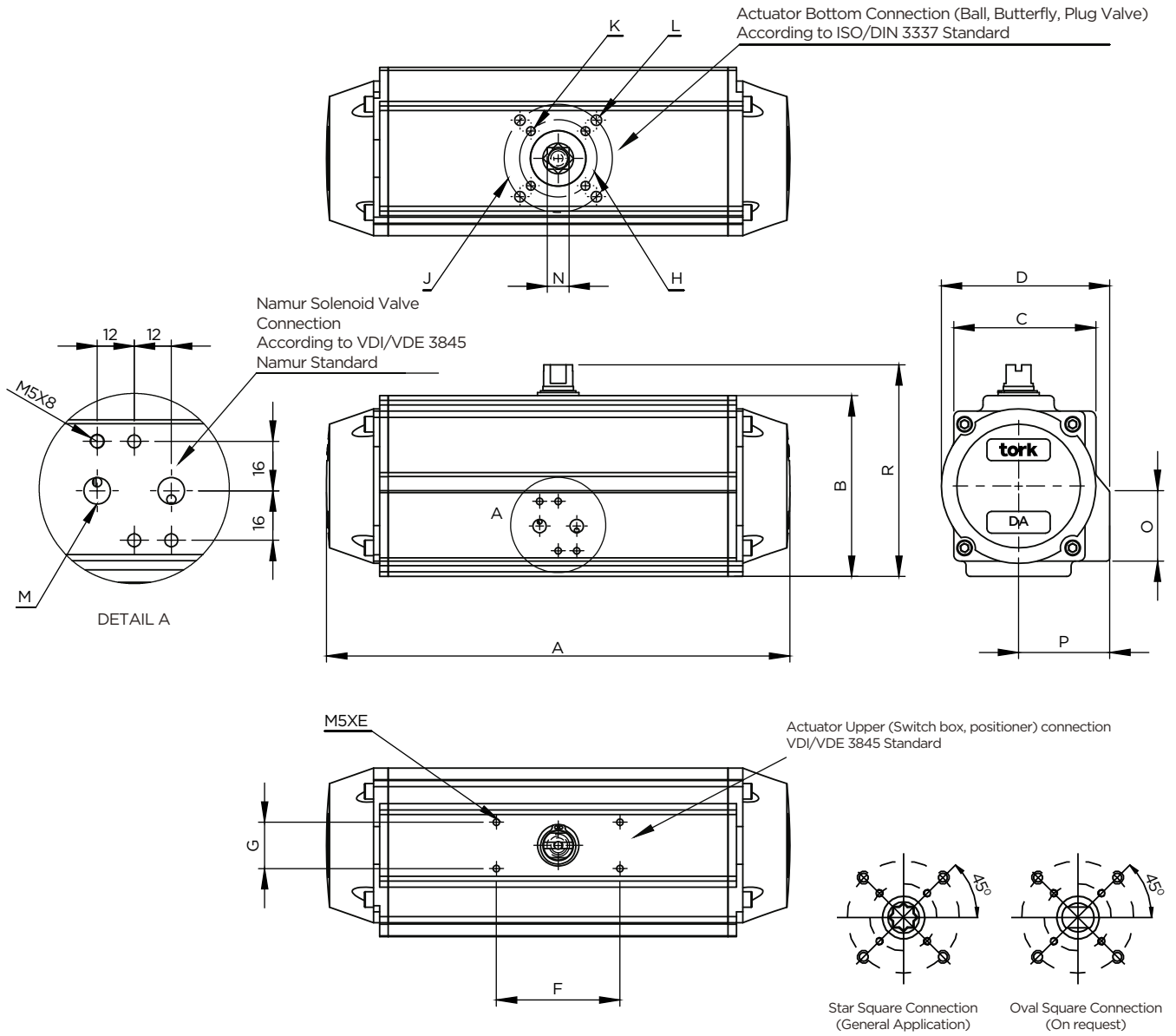


Rack & Pinion Pneumatic Actuator 2 Position 180° Turn / Sizes



DIMENSION (mm)																		
ACTUATOR MODELS	A	B	C	D	E	F	G	H	J	K	L	M	N	O	P	R	ISO FLANGED FOR H	ISO FLANGE FOR J
RA 40.8D	178.2	70	52	70.6	8	80	30	36/42/50	-	M5	M6	1/8"	9/11	45	40	90	F03/F04	F05
RA 60.8D	241.6	85.2	62	82.7	8	80	30	42/50	70	M5/M6	M8	1/8"	9/11/14	47	47	10	F04/F05	F07
RA 80.8D	333	117	91.8	109	8	80	30	50	70	M6	M8	1/8"	14	55	58	137	F05	F07
RA 100.8D	402	130	95	121	8	80	30	70	102	M8	M10	1/4"	17	61	65	160	F07	F10
RA 120.8D	481	160	116.2	150	8	80	30	70	102	M8	M10	1/4"	17/22	82	87.2	190	F07	F10

WORKING PRESSURE (Bar)													
TORK VALUES (Nm)	2.5	3	3.5	4	4.5	5	5.5	6	6.5	7	7.5	8	
RA 40.8D	7.5	9	10.5	12	13.5	15	16.5	18	19.5	21	22.5	24	
RA 60.8D	14	18	22	26	30	34	38	42	46	50	54	58	
RA 80.8D	26	38	50	62	74	86	98	110	122	134	146	158	
RA 100.8D	73	88	103	118	133	148	163	178	193	208	223	238	
RA 120.8D	137.5	165	192.5	220	247.5	275	302.5	330	357.5	385	412.5	440	